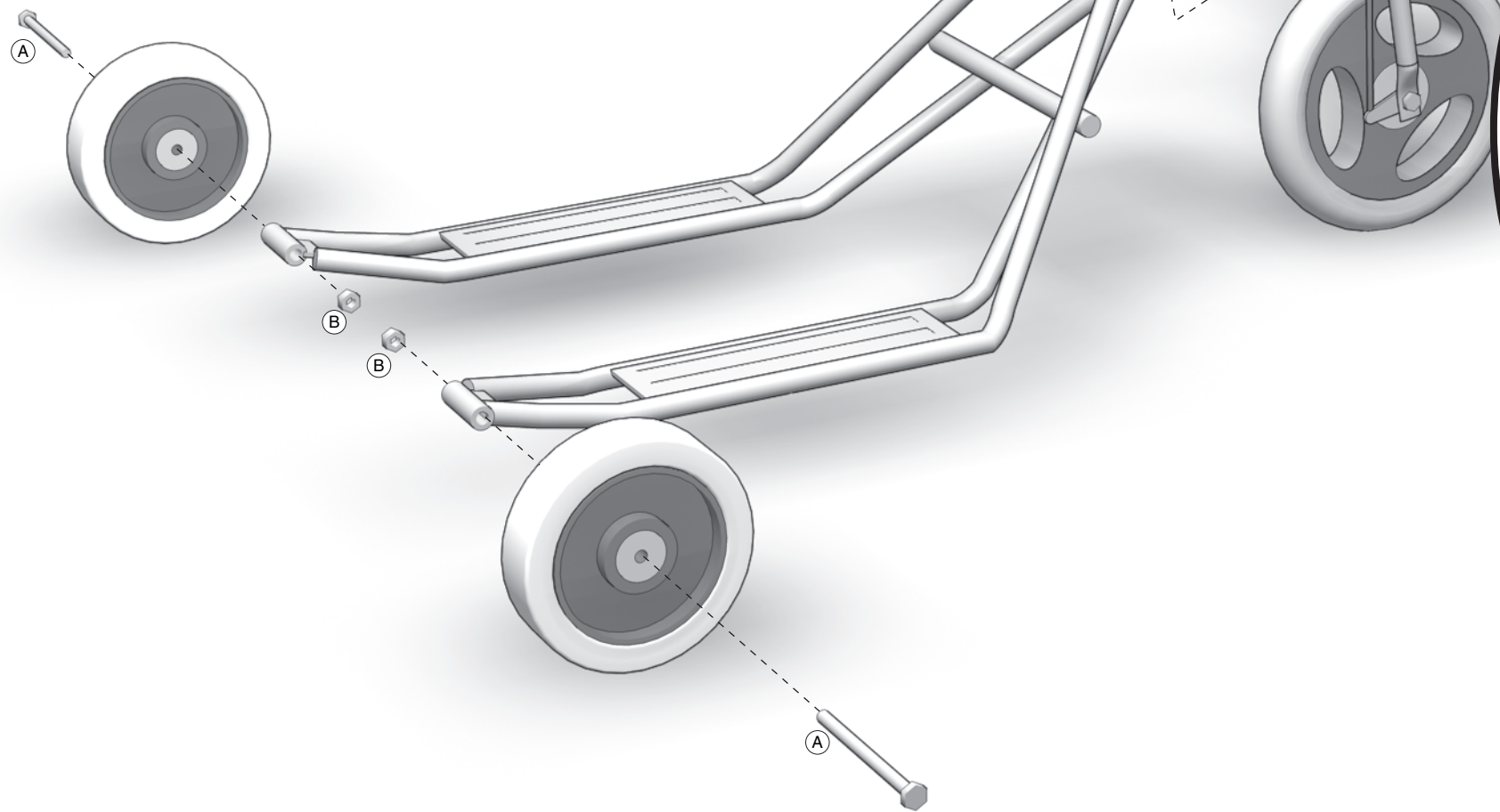
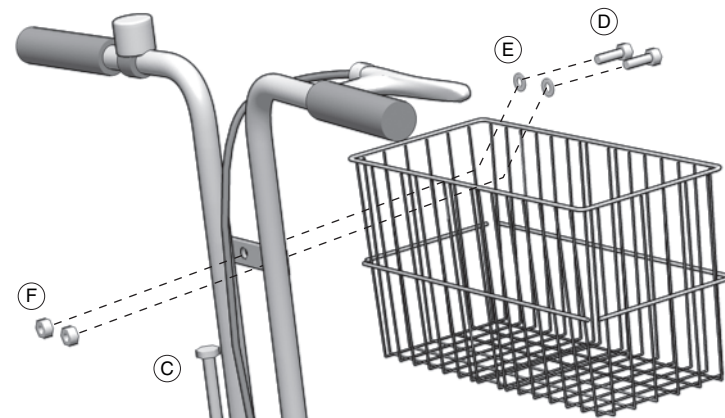


A x 2 **B x 2**

C x 1 **D x 2**

E x 2

F x 2




Ergobjörn