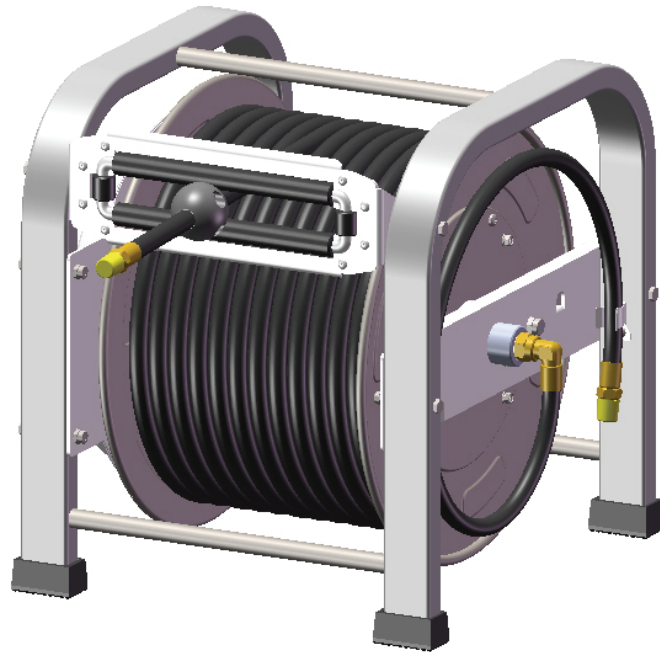


# Instruction Manual for 2828 series Hose Reel

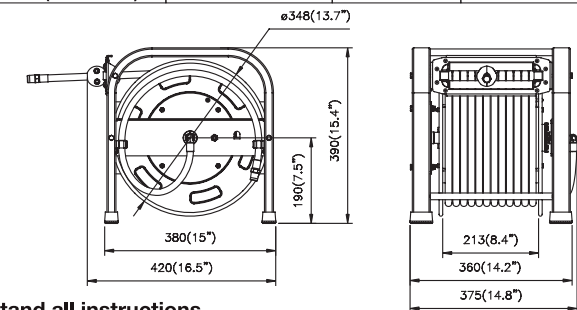


**WARNING:**

Read carefully and understand all INSTRUCTIONS before operating. Failure to follow the safety rules and other basic safety precautions may result in serious personal injury. Save these instructions in a safe place and on hand so that they can be read when required. Keep these instructions to assist in future servicing.

## Technical Details

Item	Max Pressure	Hose Working Temperature(°C/ °F)	Hose Capacity		
			Material	I.D. (inch/mm)	Length (m/ft)
28287302	300Psi (20Bar)	0-60 °C (32-140°F)	PVC	1/4" /6.5	30/ 100
28287302		-10-60°C (14-140°F)	Hybrid Polymer	1/4" /6.5	30/ 100
28287300		-20-60°C (-4-140°F)	PU	5/16" /8	30/ 100
28287303		0-60 °C (32-140°F)	PVC	3/8" /9.5	30/ 100
28287303		-20-60°C (-4-140°F)	PU	3/8" /9.5	30/ 100
28287303		-10-60 °C (14-140°F)	Hybrid Polymer	3/8" /9.5	30/ 100
28286300	200Psi (15Bar)	-20-60°C (-4-140°F)	Hybrid Polymer	5/16" /8	30/ 100
28286303		-20-60°C (-4-140°F)	Hybrid Polymer	3/8" /9.5	30/ 100
28285300	180Psi (12Bar)	0-60 °C(32-140°F)	PVC	5/16" /8	30/ 100
28285300		-20-60°C (-4-140°F)	PU	5/16" /8	30/ 100
28285303		-20-60°C (-4-140°F)	PU	3/8" /9.5	30/ 100



## Safety Precautions

### GENERAL SAFETY RULES



**WARNING:** Read and understand all instructions.



**WARNING:** The warnings, cautions, and instructions discussed in this instruction manual cannot cover all possible conditions or situations that could occur. It must be understood by the operator that common sense and caution are factors which cannot be built into this product, but must be supplied by the operator.

### Hose Reel Safety Precautions

1. Use proper eye protection when assembling and using the hose reel.
2. Keep children away from the work area.
3. Personal injury and/or equipment damage may result if proper safety precautions are not observed.
4. Ensure that reel is properly installed before connecting input and output hoses.
5. Bleed fluid/gas pressure from system before servicing reel.
6. Before connecting reel to supply line ensure that pressure does not exceed maximum wrking pressure rating of reel.
7. Remember, even low pressure is very dangerous and can cause personal injury or death.
8. If a leak occurs in the hose or reel, remove system pressure immediately.
9. Ensure that reel, hose, and equipment being service are properly grounded.
10. If reel ceases to unwind or rewind, remove system pressure immediately.
11. Do not pull or jerk on hose.

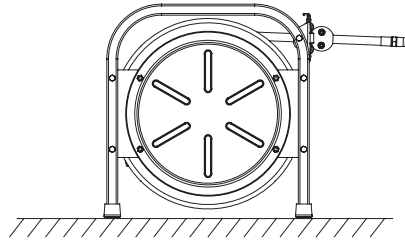


**WARNING:** Exposure of skin directly to pressurized air, or fluids could result in severe bodily injury.

# Instruction Manual for 2828 series Hose Reel

## Installation

1. Prior to mounting the hose reel, ensure that the supply line pressure dose not exceed the maximum working pressure of the hose reel.
2. Unpack and inspect reel for damage. Turn by hand to check for smooth operation. Check for completeness.
3. Place the reel on the flat floor, the one with bigger friction the better.



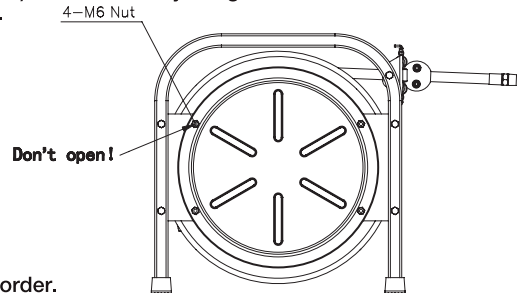
Floor

4. Apply Teflon tape or pipe sealant to supply line threads, attach to reel inlet and tighten. The other end of incoming line can now be connected to desired supply source.
5. Apply Teflon tape or pipe sealant to outlet fitting on reel hose, then, attach to desired tool, or nozzle. Check connection for leakage, also check hose reel for correct operation. See: Operation section.
6. If hose stopper adjustment is required, pull hose form reel and allow latch at desired length. Loosen stopper bolts, and slide stopper to a position close to the hose guide. Tighten stopper bolts, and unlatch the reel.

## Operation

1. Check reel for correct operation by slowly pulling out hose. A "clicking" noise will be heard every half revolution of the drum.
2. To latch the reel, pull out the hose and allow it to retract after hearing the first second or third "clicking".
3. To unlatch , slowly pull out the hose until the "clicking" noise stops, then let cable retract until the cable stopper rests against the cable guide.
4. If necessary, adjust spring tension on reel by adding or removing wraps of hose from spool, one wraps at a time, until desired tension is obtained. Add wraps to increase tension. Remove wraps to decrease tension.

**WARNING:** Do not open the plate (#19) at will. It is very dangerous and can cause personal injury or death. See below picture.



## Maintenance

1. Make sure the hose is in proper working order.
2. Clean the hose with a cloth dipped in warm water to remove dirt or deposits and ensure correct rewinding.
3. Do not use detergents or solvents which could prove incompatible with cable-winder materials.
4. Dismantling of the unit by unskilled personal could prove hazardous; the risk involved mainly concern the preloaded springs.

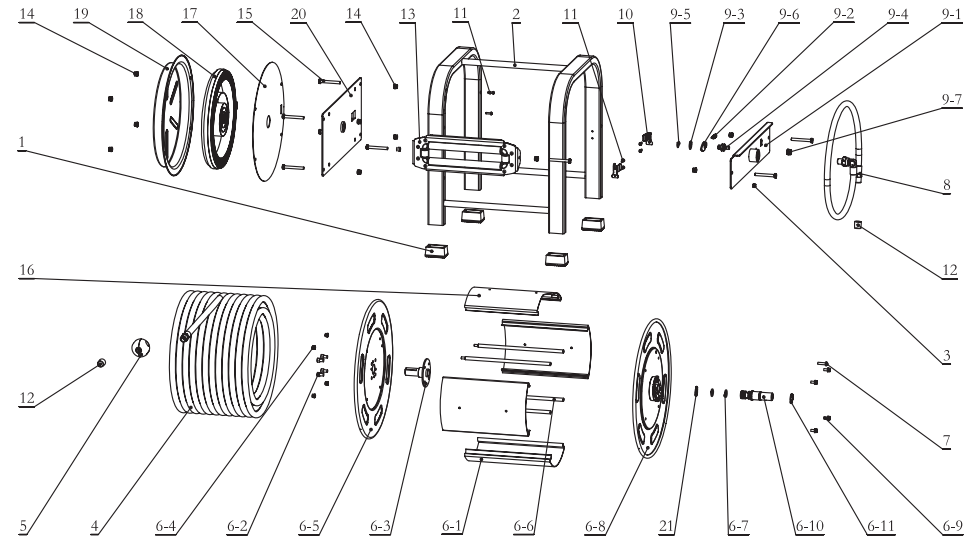
# Instruction Manual for 2828 series Hose Reel

## Limited Warranty

1. The manufacturer warrantees this hose reel against defects in material and craftsmanship, for a period of 24 months from date of purchase, but not including hose and O-ring parts.
2. Manufacturer's liability is limited to replacement or repair of defective material within the warranty period, when returned freight prepaid to the distributor or their designated service depot.
3. The warranty does not cover the damage caused by accident, misuse or faulty installation.
4. The reel must be installed and maintained in compliance with the instructions.

## WARNING

Your risk from these exposures varies, depending on how often you do this type of work. To reduce your exposure to these chemicals: work in a well ventilated area, and work with approved safety equipment, such as those dust masks that are specially designed to filter out microscopic particles.



Part No.	Description	Q'ty	Part No.	Description	Q'ty	Part No.	Description	Q'ty
1	Rubber Pad	4	6-9	Screw	4	10	Clamp	2
2	Base	1	6-10	Swivel Spool	1	11	Screw	6
3	Screw	1	6-11	Retainer	1	12	Protector Cap	2
4	Hose Assembly	1	7	Screw	1	13	Guide Plate Assembly	1
5	Stopper Assembly	1	8	Lead-in Hose Assembly	1	14	Nut	12
6-1	Roller	3	9-1	Fixed Plate for Ratchet	1	15	Screw	8
6-2	Screw	4	9-2	Ratchet Spring	1	16	Roller Assembly	1
6-3	Axle	1	9-3	Washer	1	17	Spring Cover	1
6-4	Nut	4	9-4	Ratchet Axle	1	18	Spring	1
6-5	Drum	1	9-5	Retainer	1	19	Spring Plate	1
6-6	Connecting Rod	4	9-6	Ratchet	1	20	Fixed Plate for Spring	1
6-7	O-ring	2	9-7	Nut	1	21	Retainer	1
6-8	Drum Assembly	1						