

HURRAY



ASSEMBLY GUIDE

SPARE PARTS

DISASSEMBLY GUIDE

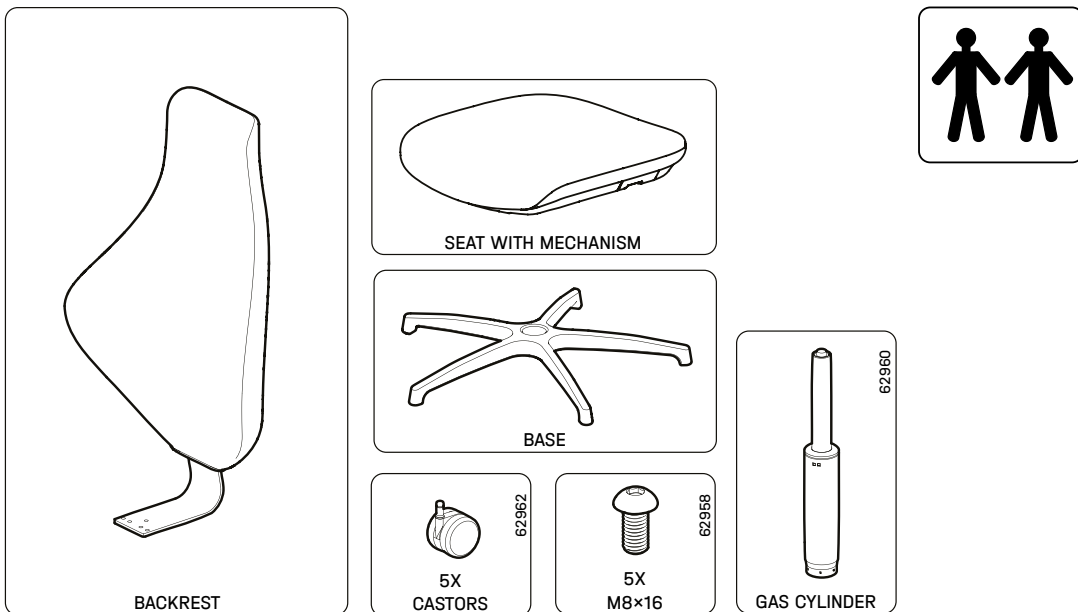
HURRAY

Assembly guide

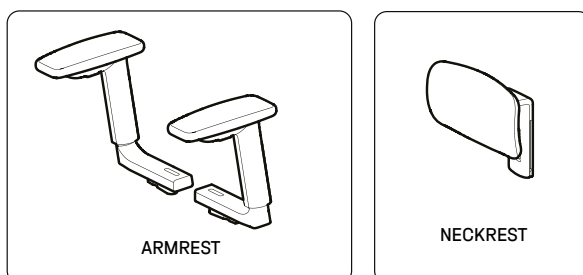


AJ-A-1069W
V1.2 2024-06-26

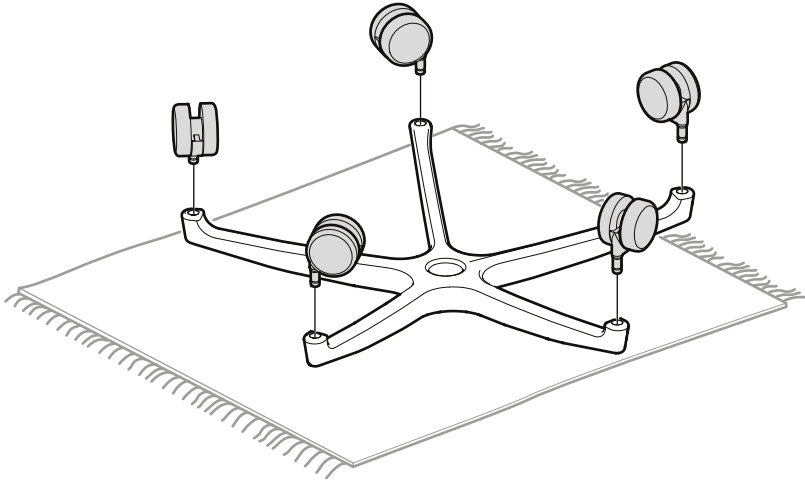
PACKAGE CONTENTS



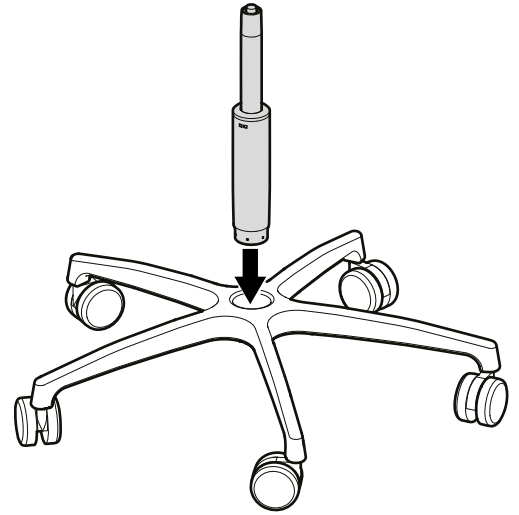
OPTIONAL ACCESSORIES



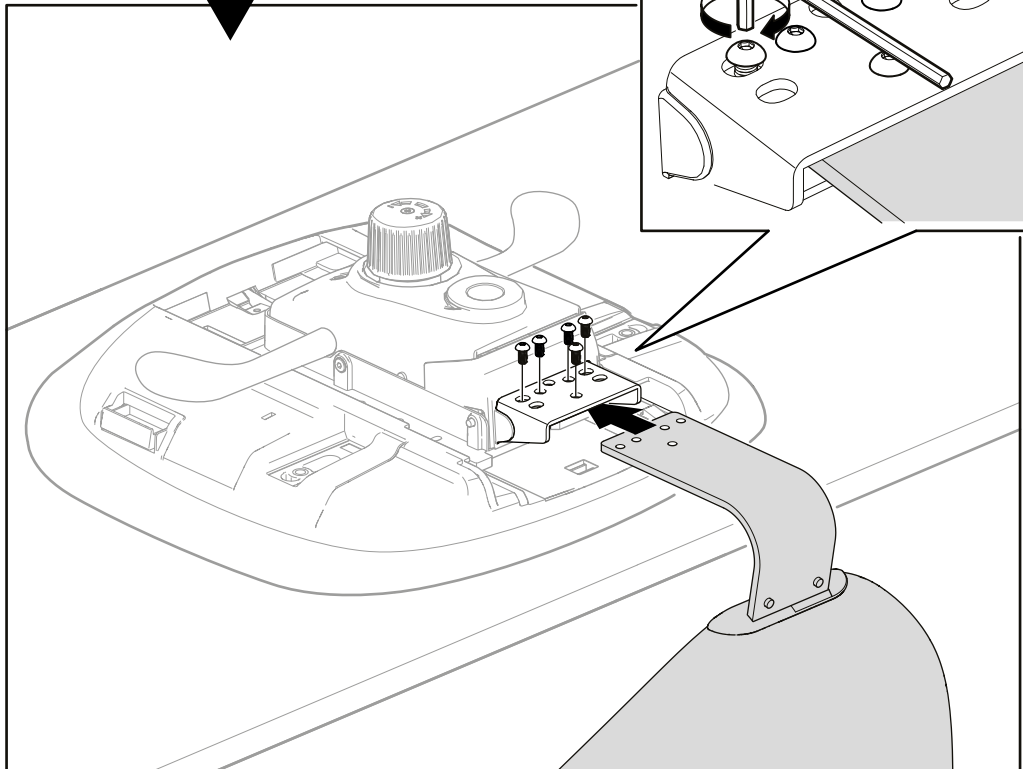
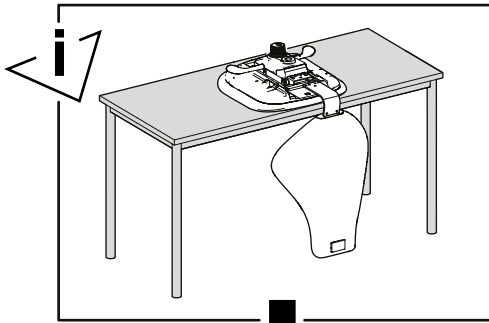
1



2

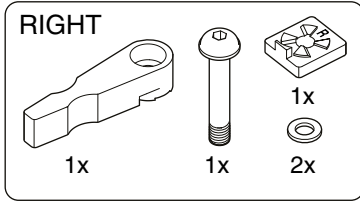
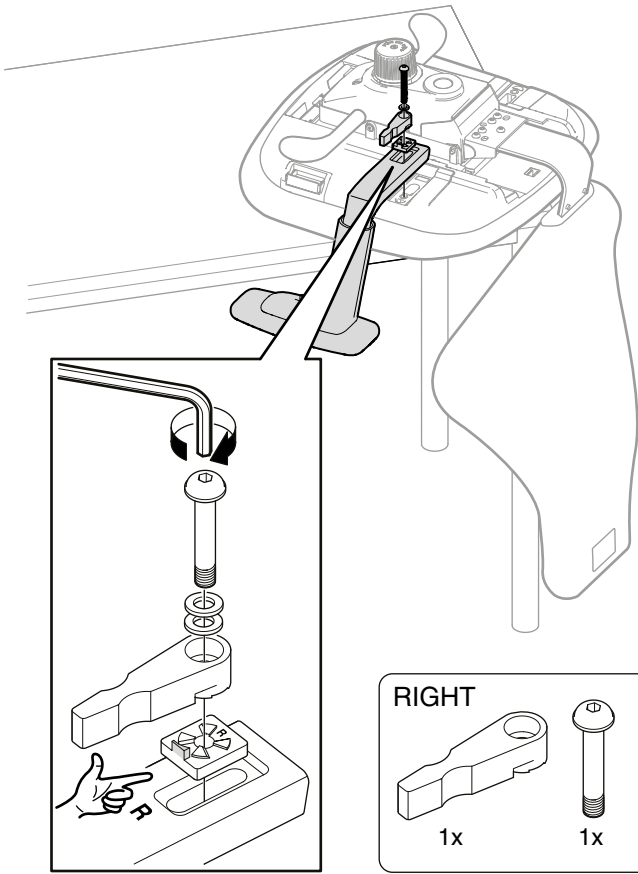


3



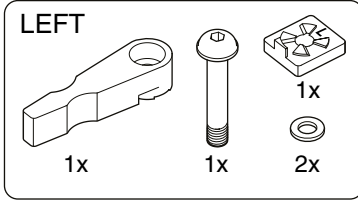
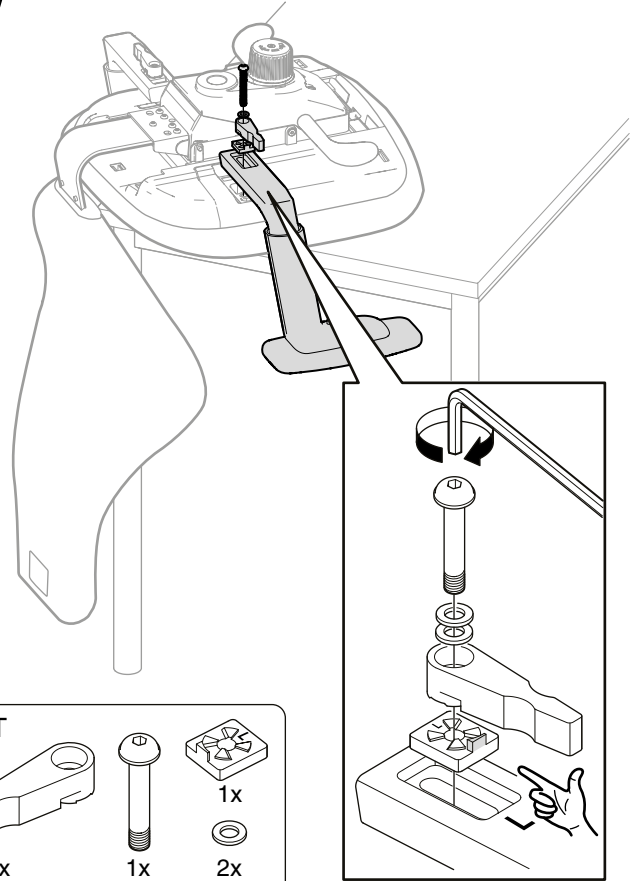
4

OPTIONAL
ARMREST ASSEMBLY - RIGHT

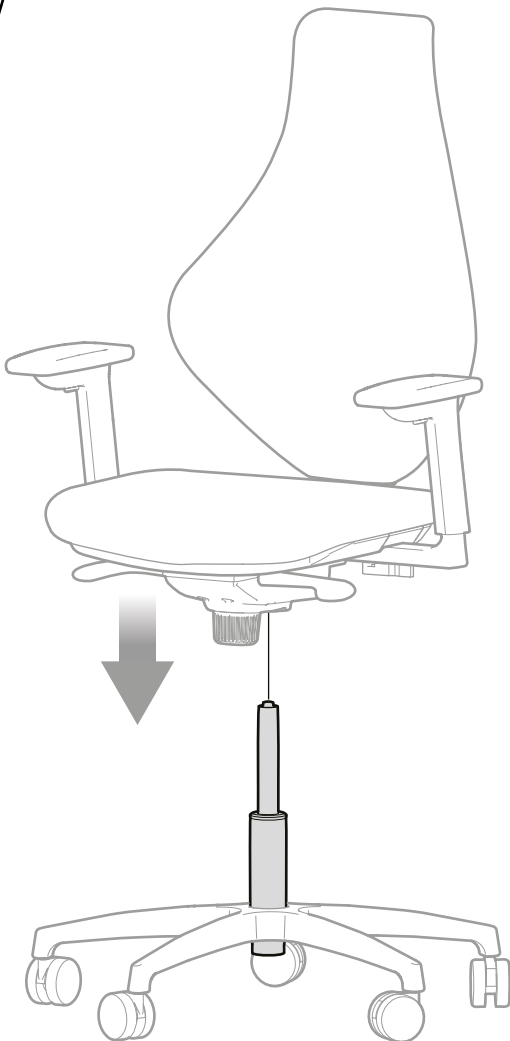


5

OPTIONAL
ARMREST ASSEMBLY - LEFT

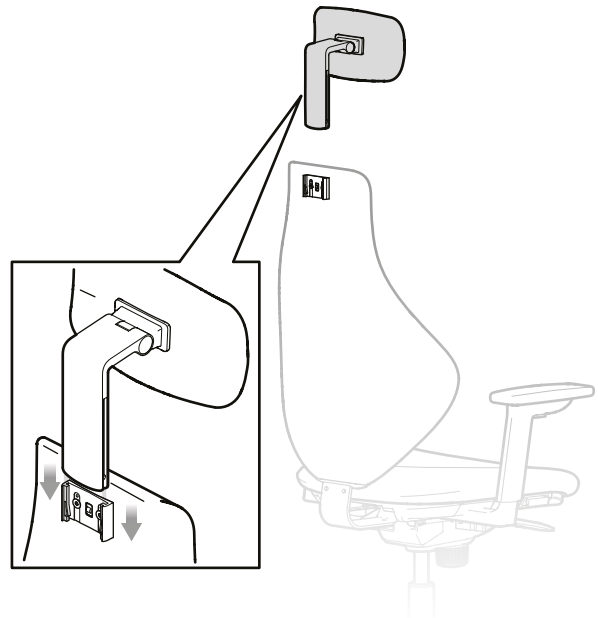


6



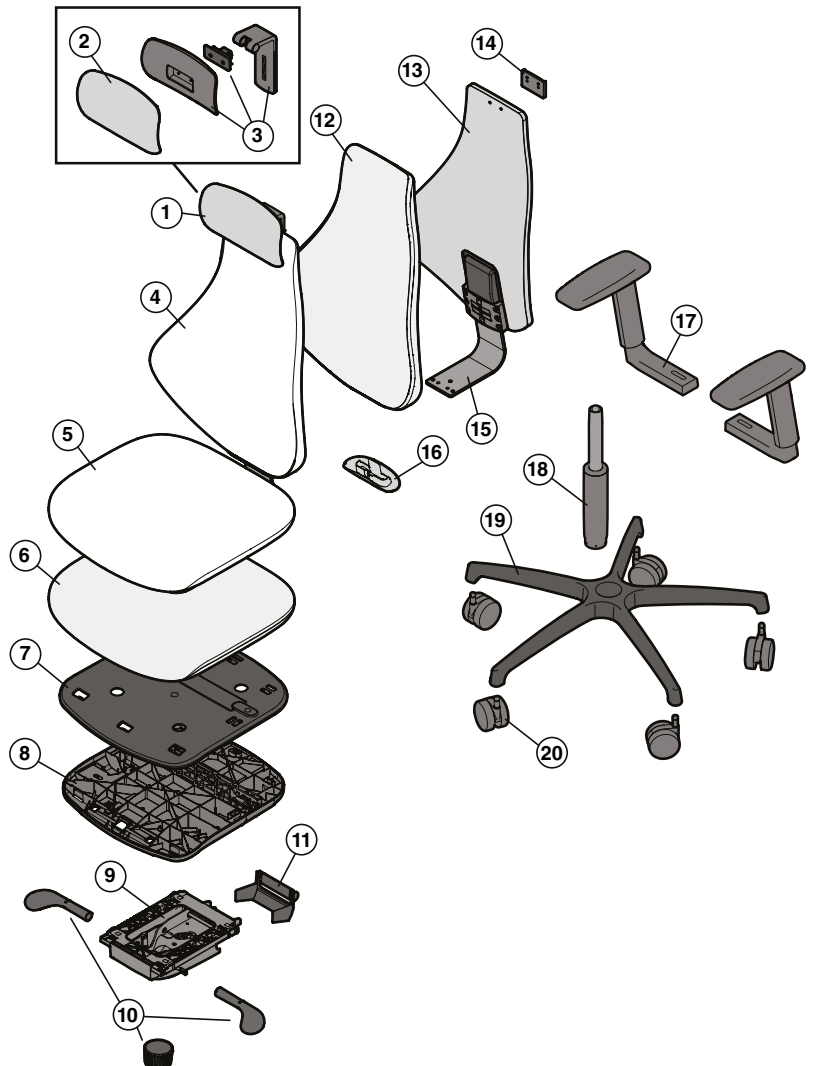
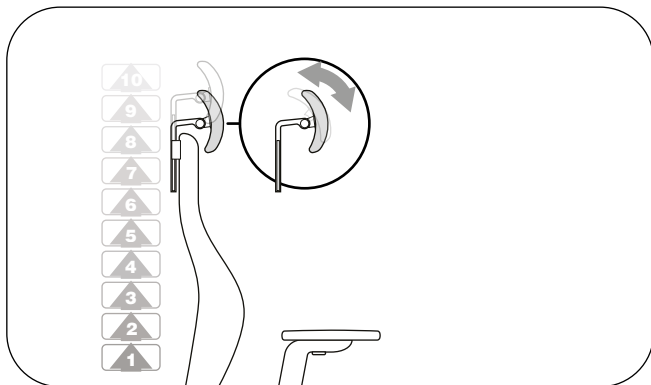
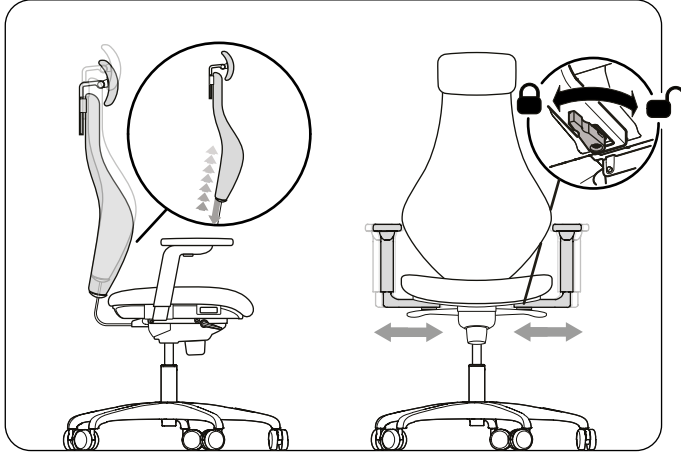
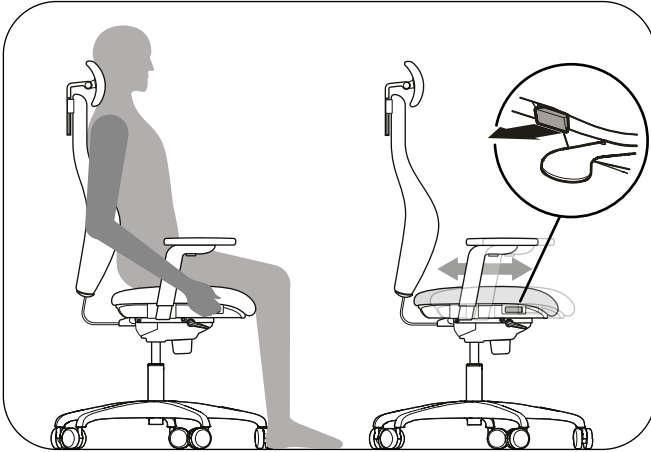
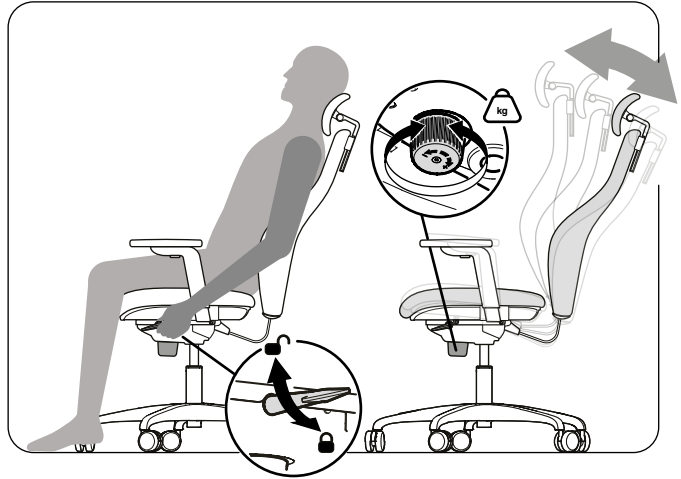
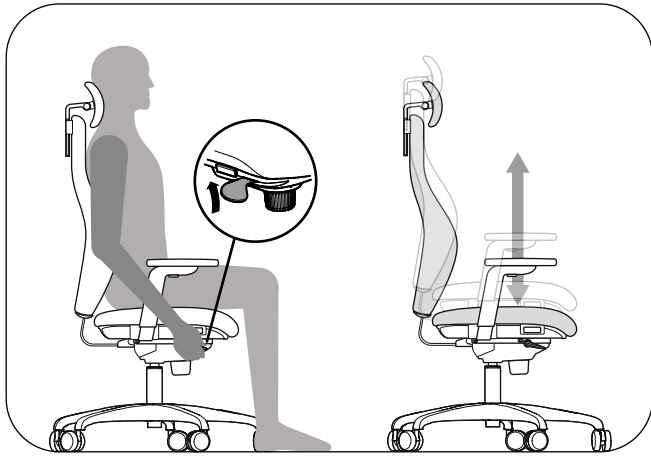
7

OPTIONAL
NECKREST ASSEMBLY



i The fabric cover on this chair is washable. Please follow the care instructions label on the cover for guidance.

Additionally, you can find the product disassembly instructions on our website: www.ajproducts.com



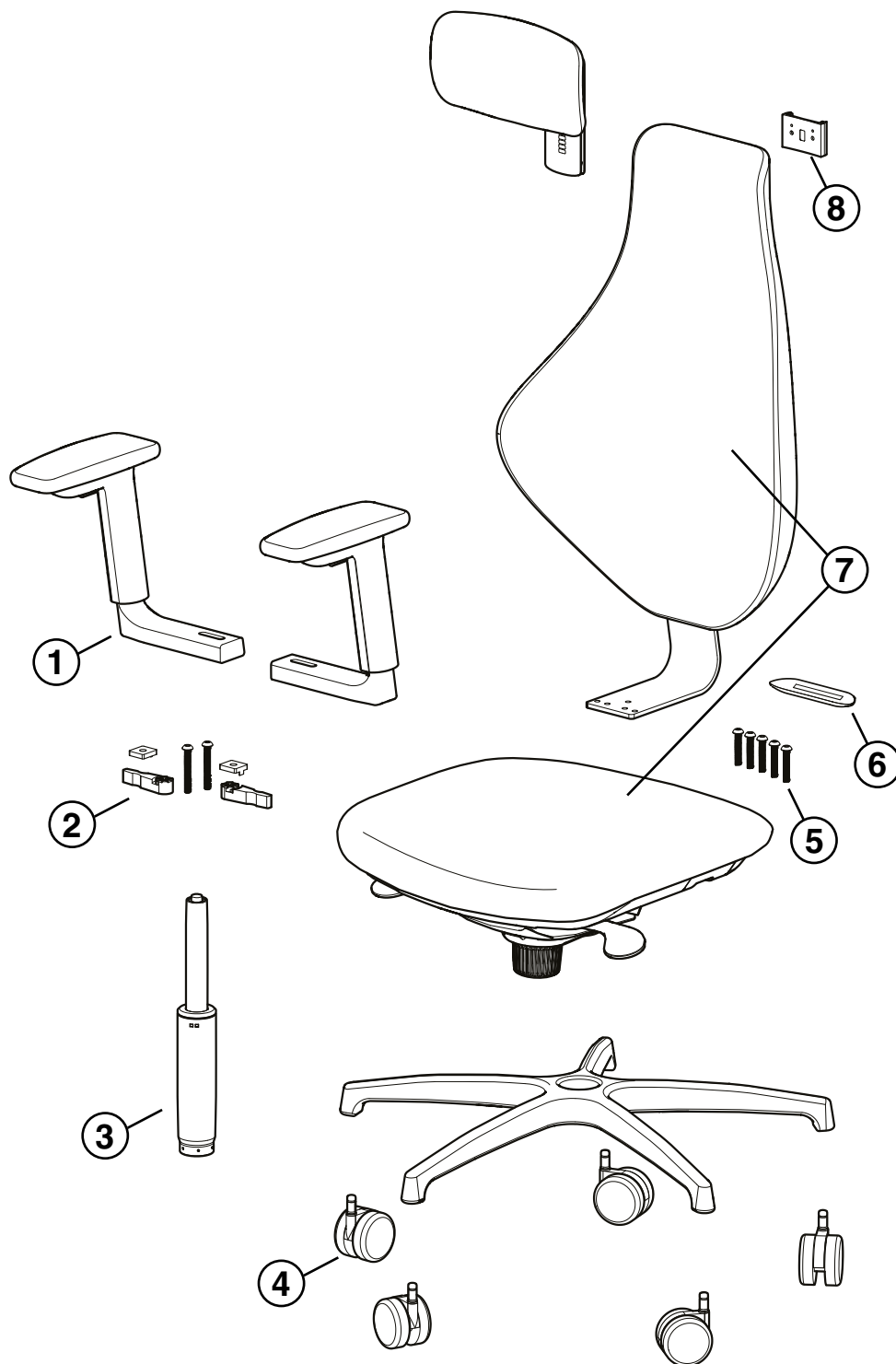
PARTS DIAGRAM AND MATERIALS

Part no.	Description	Material	
1	Neck rest cover PU	PU	Plastic
2	Neck rest padding	PU	Plastic
3	Neck rest mechanism	PP	Plastic
4	Backrest cover foam	PU	Plastic
5	Seat cover foam	PU	Plastic
6	Seat foam padding	PU	Plastic
7	Seat shell	PP	Plastic
8	Seat shell	PP	Plastic
9	Seat mechanism	Aluminium	Metal
10	Adjustment knobs/handles	PA	Plastic
11	Cover	PP	Plastic
12	Backrest foam padding	PU	Plastic
13	Backrest shell	Plywood	Wood
14	Neck rest fixing plate	PP	Plastic
15	Backrest fixing plate	Steel	Metal
16	Cover	PP	Plastic
17	Armrest (pair)	PA	Plastic
18	Gas cylinder	Steel	Metal
19	Wheelbase	PA	Plastic
20	Wheels	PP	Plastic

HURRAY

Spare parts

High chair



No.	Article	Description
1	14820	Armrests (pair) incl. assembly kit
2	62959	Assembly kit for armrests
3	62960	Gaslift
4	62962	Castors, 5pcs
5	62958	Assembly kit for chair
6	62961	Plastic cover for zipper
7	148211	Upholstery for seat and backrest, black
8	62963	Neckrest regulator

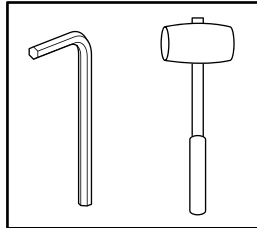
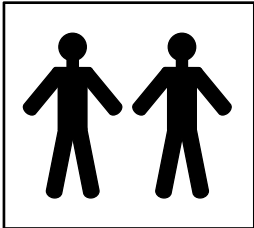
Contact your local Aj sales office for spare parts.

HURRAY

Disassembly guide

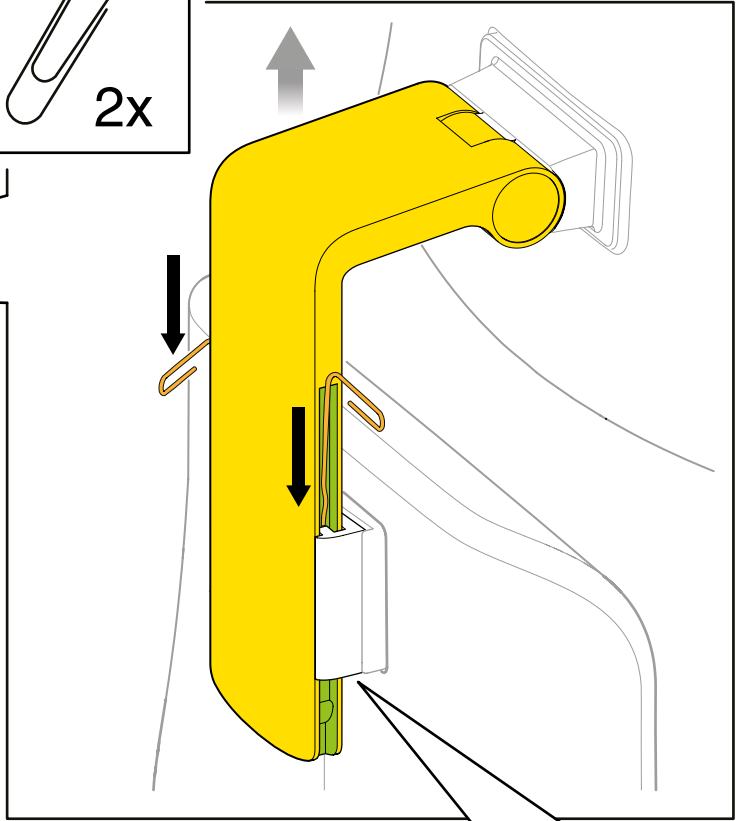
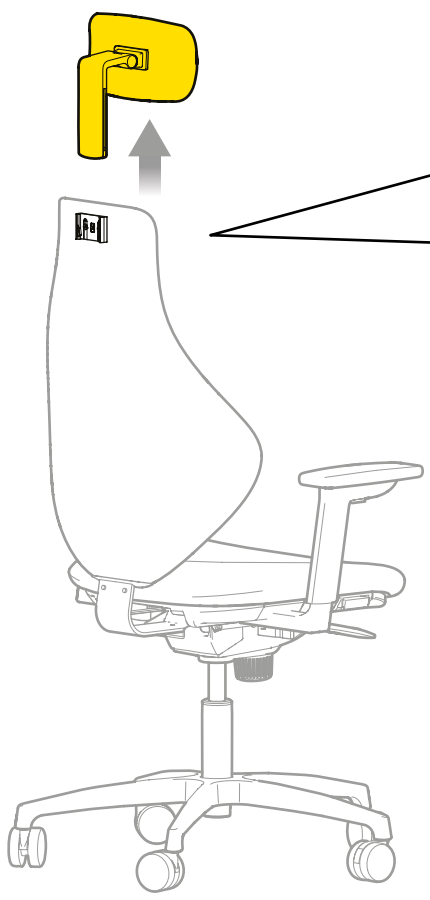
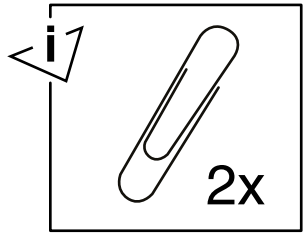


AJ-D-0005
V1.0 2024-09-02



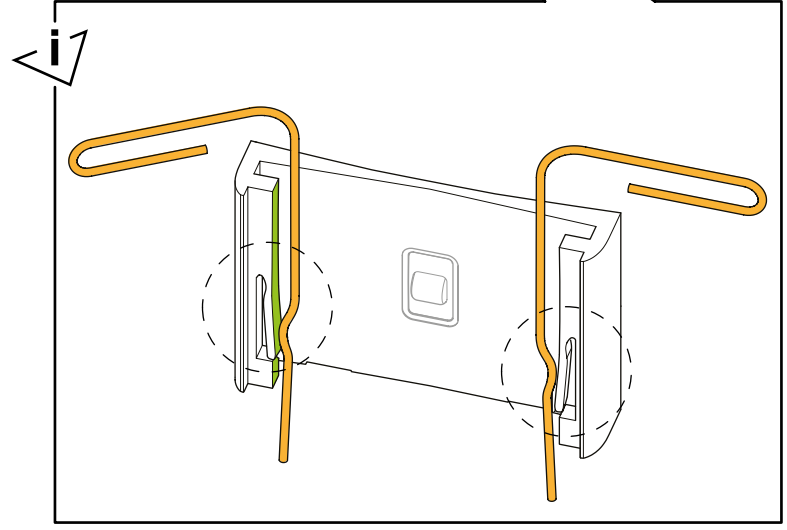
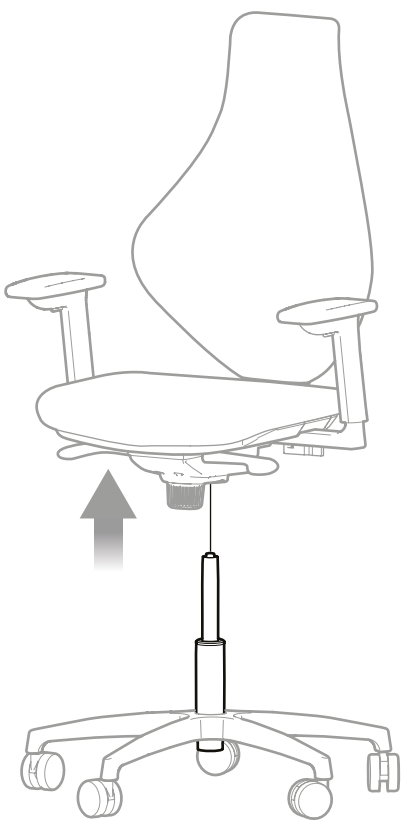
1

NECKREST REMOVAL



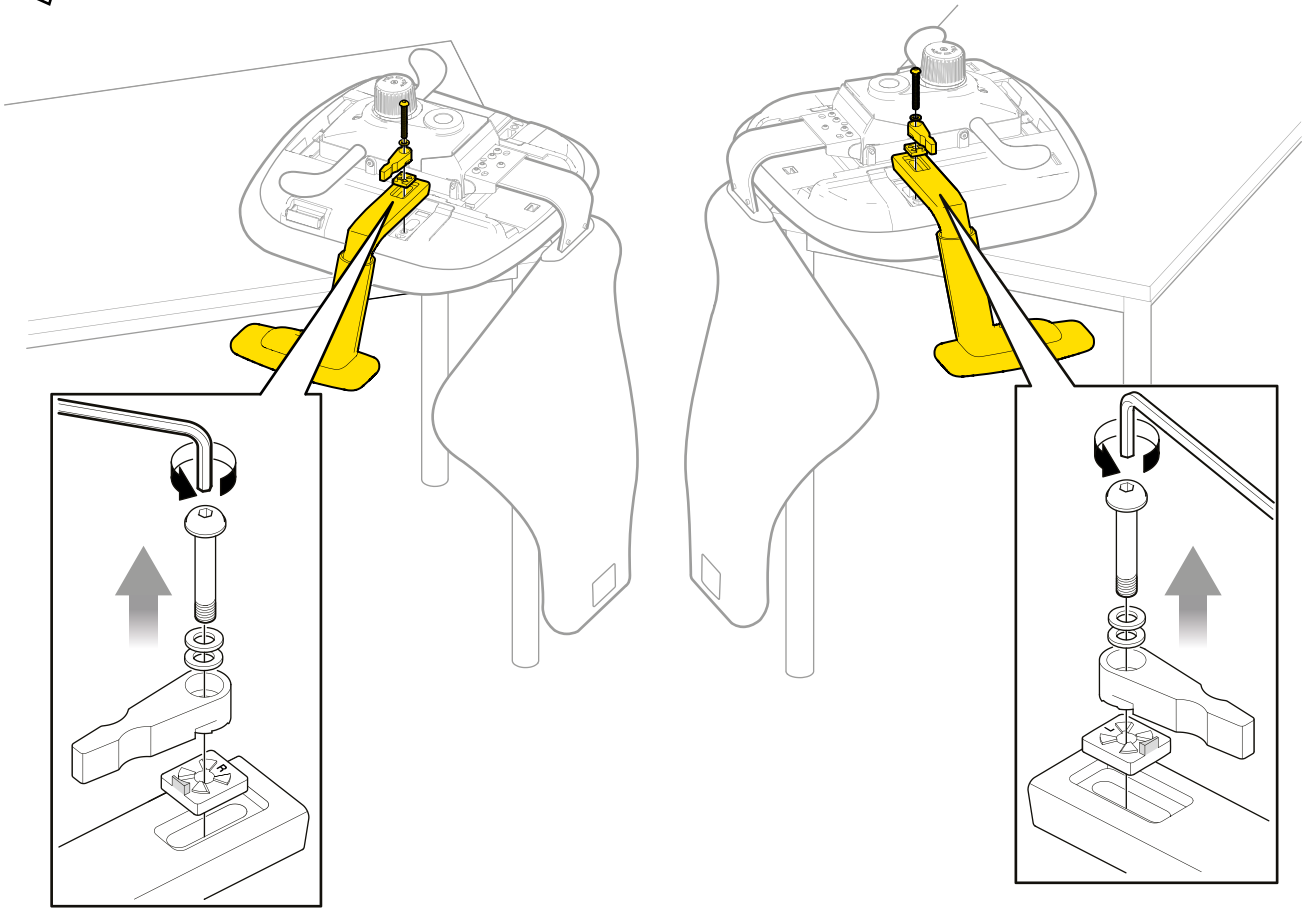
2

SEAT REMOVAL



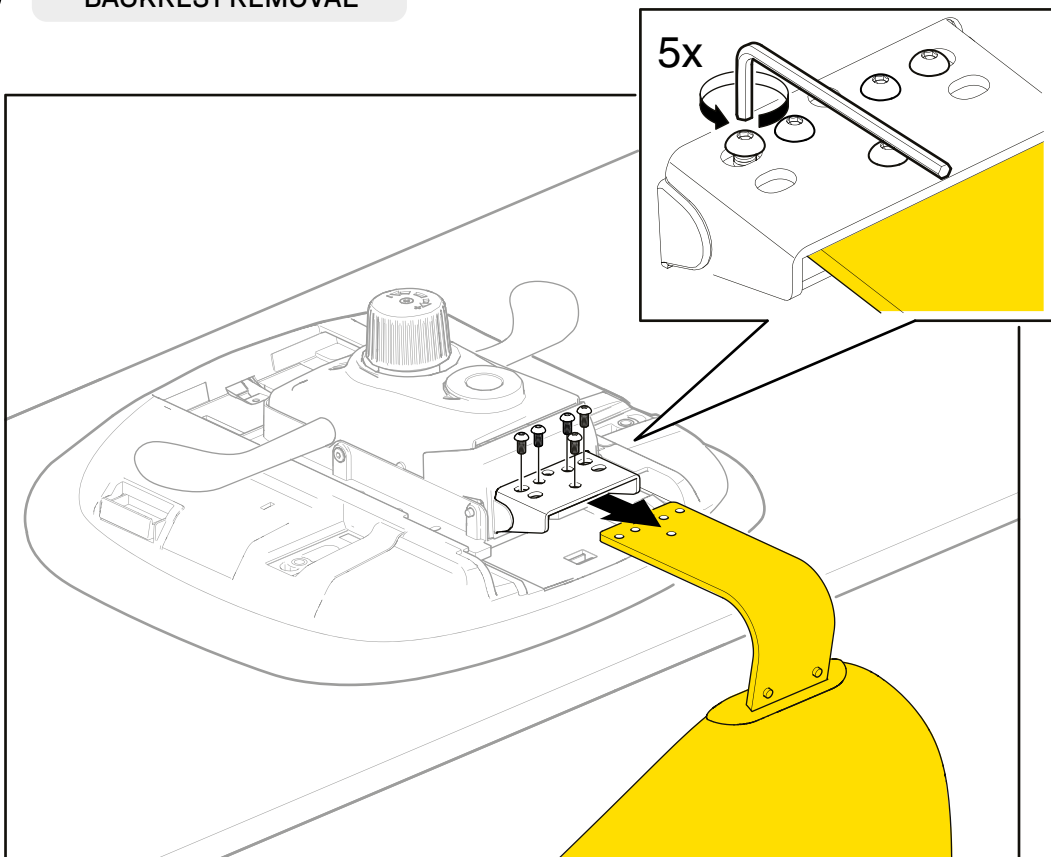
3

ARMREST REMOVAL



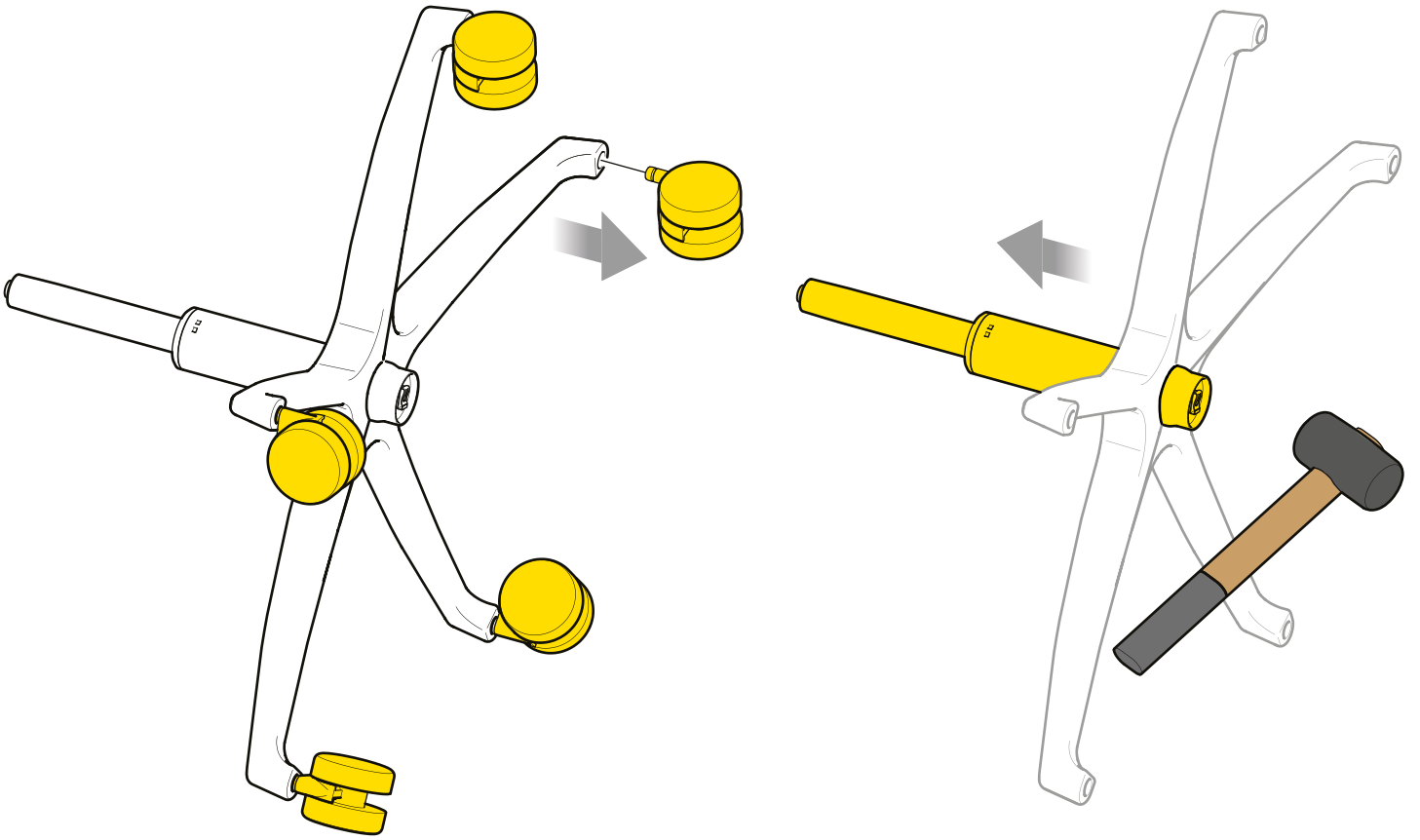
4

BACKREST REMOVAL



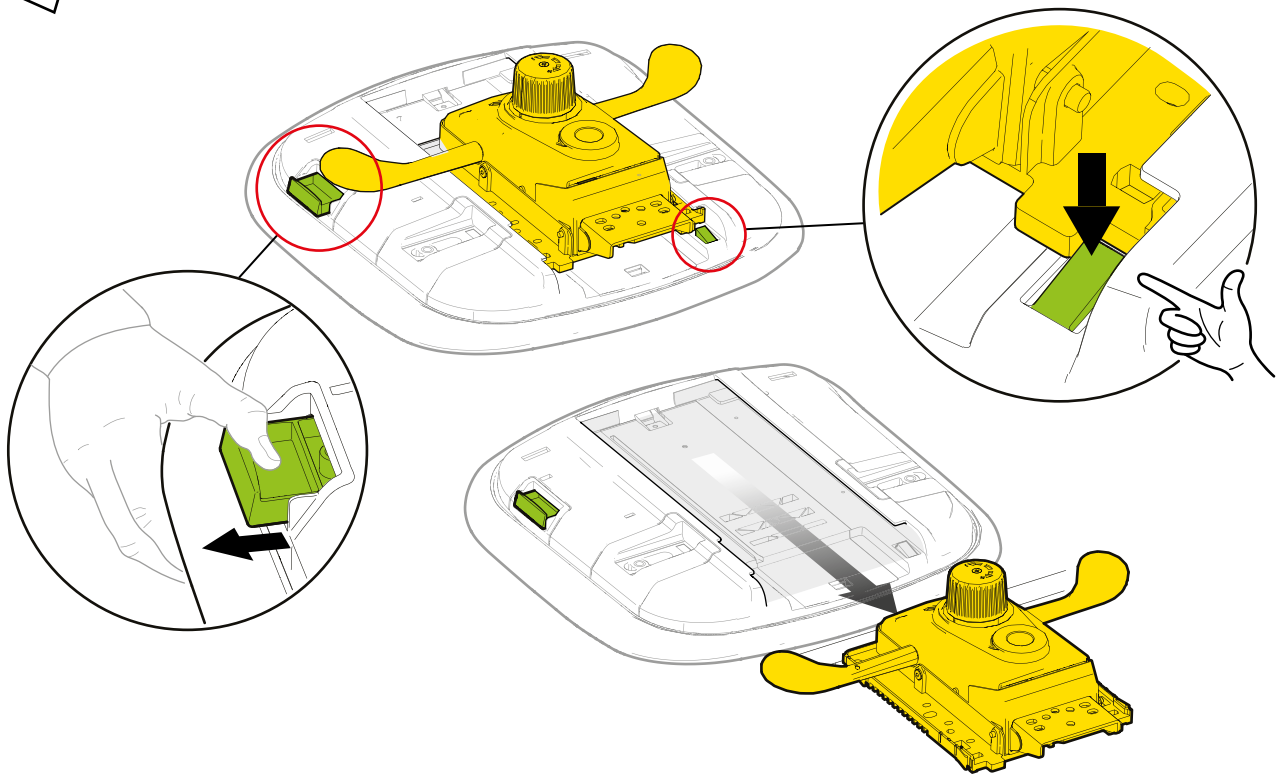
5

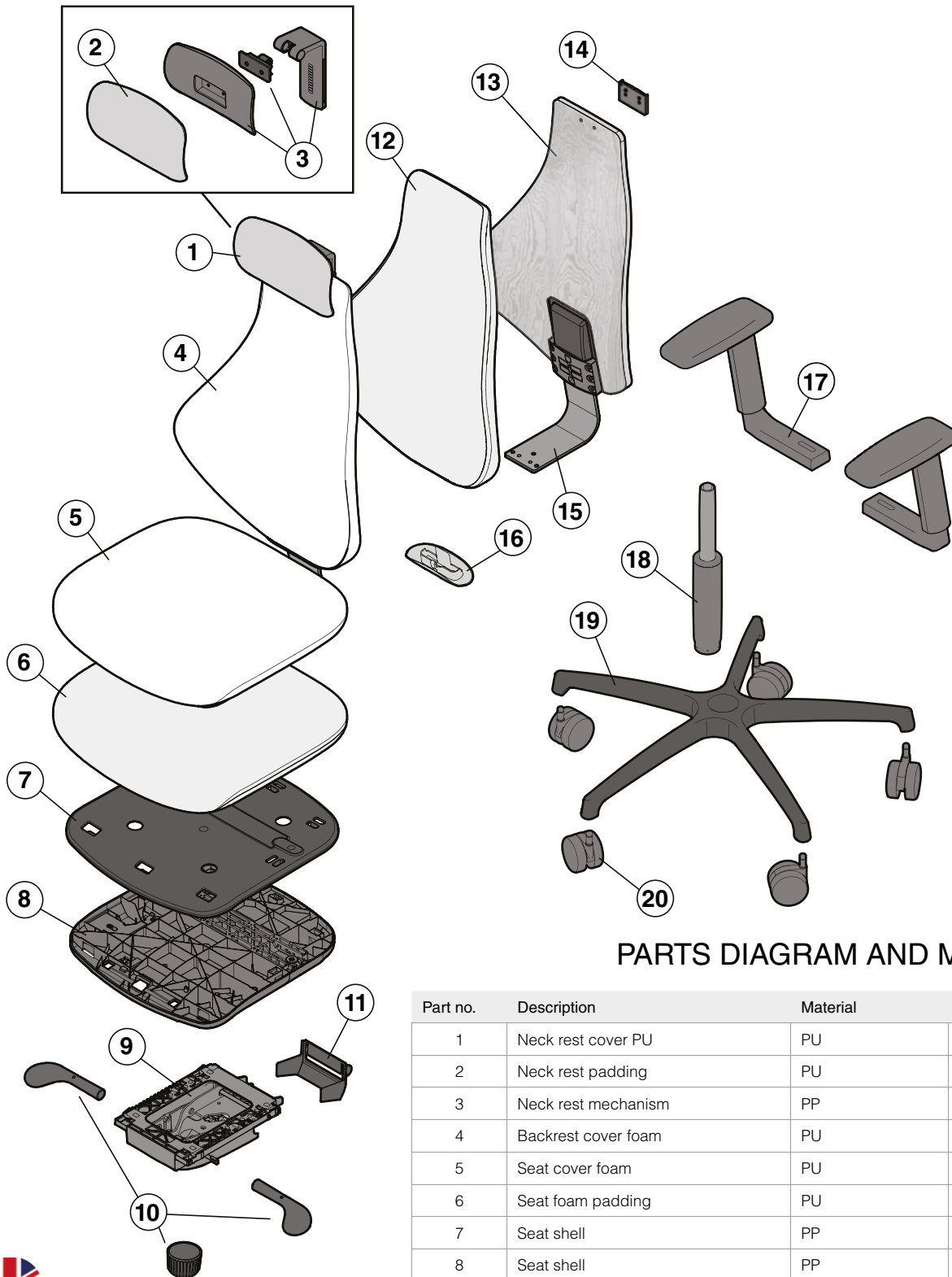
WHEEL AND GAS CYLINDER REMOVAL



6

SEAT MECHANISM REMOVAL





PARTS DIAGRAM AND MATERIALS

Part no.	Description	Material	
1	Neck rest cover PU	PU	Plastic
2	Neck rest padding	PU	Plastic
3	Neck rest mechanism	PP	Plastic
4	Backrest cover foam	PU	Plastic
5	Seat cover foam	PU	Plastic
6	Seat foam padding	PU	Plastic
7	Seat shell	PP	Plastic
8	Seat shell	PP	Plastic
9	Seat mechanism	Aluminium	Metal
10	Adjustment knobs/handles	PA	Plastic
11	Cover	PP	Plastic
12	Backrest foam padding	PU	Plastic
13	Backrest shell	Plywood	Wood
14	Neck rest fixing plate	PP	Plastic
15	Backrest fixing plate	Steel	Metal
16	Cover	PP	Plastic
17	Armrest (pair)	PA	Plastic
18	Gas cylinder	Steel	Metal
19	Wheelbase	PA	Plastic
20	Wheels	PP	Plastic



RECYCLING

To disassemble the furniture for proper recycling, start by removing all screws and fasteners, then separate materials like plastic, metal, and fabric before taking them to the respective recycling facilities.



ÅTERVINNING

För att demontera möbelen för återvinning, börja med att ta bort alla skruvar och fästningar, sedan separera material som plast, metall och tyg innan du tar dem till respektive återvinningsanläggningar.